



SNCS PAM 200

Normal-Duty Tapped-Base Pillow Block
Eccentric Lock

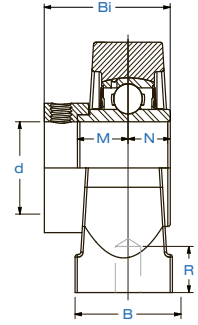
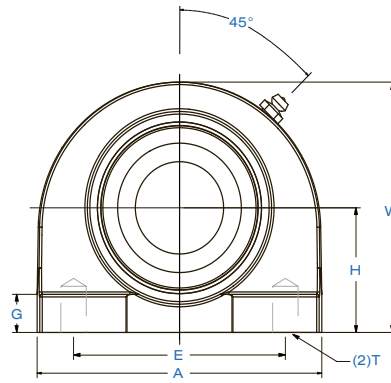
Seal
Styles



Standard Seal
with Flinger



Triple-Lip
L3 Seal



Bearing Number	Shaft Dia.	Dimensions in. mm.										Thread Size (T)		Load Rating lbs. kN.		Bearing Insert	Housing Number	Wt.																																																																																																																																																																																																																																																																																																																													
	d in. mm.	H	A	E	B	R	G	W	Bi	N	M	in. mm.	Dynamic Cr	Static Cor	lbs. kg.																																																																																																																																																																																																																																																																																																																																
SNCS PAM 201-8	1/2												3/8-16	2,331 10.37	1,142 5.08	SNC 201-8	SPAM 204	1.7 0.8																																																																																																																																																																																																																																																																																																																													
SNCS PAM 202-10	5/8	1.313	2.88	2.000	1.50	0.50	0.44	2.56	1.5472	0.5000	0.6732																																																																																																																																																																																																																																																																																																																																				
SNCS PAM 204-12	3/4	33.3	73.0	50.8	38.0	12.7	11.0	65.0	39.3	12.7	17.1																																																																																																																																																																																																																																																																																																																																				
SNCS PAM 204	20											SNCS PAM 205-14				7/8													3/8-16	2,542 11.31	1,349 6.00	SNC 205-14	SPAM 205	2.1 1.0	SNCS PAM 205-15	15/16	1.438	3.00	2.000	1.50	0.50	0.47	2.80	1.6220	0.5630	0.6850	SNCS PAM 205	25	36.5	76.0	50.8	38.0	12.7	12.0	71.0	41.2	14.3	17.4	SNCS PAM 205-16	1											SNCS PAM 206-17	1 1/16											7/16-14	3,554 15.81	1,942 8.64	SNC 206-17	SPAM 206	3.2 1.5	SNCS PAM 206-18	1 1/8	1.688	4.00	3.000	1.50	0.63	0.47	3.43	1.8110	0.6260	0.7165	SNCS PAM 206	30	42.9	102.0	76.2	38.0	16.0	12.0	87.0	46.0	15.9	18.2	SNCS PAM 206-19	1 3/16											SNCS PAM 206-20	1 1/4											1/2-13	4,683 20.83	2,626 11.68	SNC 207-20	SPAM 207	4.3 2.0	SNCS PAM 207-21	1 5/16	1.875	4.25	3.250	1.89	0.75	0.47	3.74	1.9606	0.6890	0.7402	SNCS PAM 207-22	1 3/8	47.6	108.0	82.6	48.0	19.0	12.0	95.0	49.8	17.5	18.8	SNCS PAM 207	35											SNCS PAM 207-23	1 7/16											1/2-13	5,294 23.55	3,057 13.60	SNC 208-24	SPAM 208	5.4 2.5	SNCS PAM 208-24	1 1/2	1.938	4.63	3.500	1.89	0.75	0.47	3.94	2.1220	0.7480	0.8425	SNCS PAM 208-25	1 9/16	49.2	117.0	88.9	48.0	19.0	12.0	100.0	53.9	19.0	21.4	SNCS PAM 208	40											SNCS PAM 209-26	1 5/8											1/2-13	5,923 26.35	3,507 15.60	SNC 209-26	SPAM 209	6.4 2.9	SNCS PAM 209-27	1 11/16	2.125	4.96	3.750	2.00	0.75	0.47	4.25	2.1220	0.7480	0.8425	SNCS PAM 209-28	1 3/4	54.0	126.0	95.3	51.0	19.0	12.0	108.0	53.9	19.0	21.4	SNCS PAM 209	45											SNCS PAM 210-30	1 7/8											5/8-11	6,402 28.48	4,046 18.00	SNC 210-30	SPAM 210	7.5 3.4	SNCS PAM 210-31	1 15/16	2.250	5.50	4.000	2.00	0.87	0.55	4.61	2.2480	0.7480	0.9685	SNCS PAM 210	50	57.2	140.0	101.6	51.0	22.0	14.0	117.0	57.1	19.0	24.6	SNCS PAM 210-32	2					
SNCS PAM 205-14	7/8											3/8-16	2,542 11.31	1,349 6.00	SNC 205-14	SPAM 205	2.1 1.0																																																																																																																																																																																																																																																																																																																														
SNCS PAM 205-15	15/16	1.438	3.00	2.000	1.50	0.50	0.47	2.80	1.6220	0.5630	0.6850																																																																																																																																																																																																																																																																																																																																				
SNCS PAM 205	25	36.5	76.0	50.8	38.0	12.7	12.0	71.0	41.2	14.3	17.4																																																																																																																																																																																																																																																																																																																																				
SNCS PAM 205-16	1														SNCS PAM 206-17			1 1/16											7/16-14	3,554 15.81	1,942 8.64	SNC 206-17	SPAM 206	3.2 1.5	SNCS PAM 206-18	1 1/8	1.688	4.00	3.000	1.50	0.63	0.47	3.43	1.8110	0.6260	0.7165	SNCS PAM 206	30	42.9	102.0	76.2	38.0	16.0	12.0	87.0	46.0	15.9	18.2	SNCS PAM 206-19	1 3/16											SNCS PAM 206-20	1 1/4											1/2-13	4,683 20.83	2,626 11.68	SNC 207-20	SPAM 207	4.3 2.0	SNCS PAM 207-21	1 5/16	1.875	4.25	3.250	1.89	0.75	0.47	3.74	1.9606	0.6890	0.7402	SNCS PAM 207-22	1 3/8	47.6	108.0	82.6	48.0	19.0	12.0	95.0	49.8	17.5	18.8	SNCS PAM 207	35											SNCS PAM 207-23	1 7/16											1/2-13	5,294 23.55	3,057 13.60	SNC 208-24	SPAM 208	5.4 2.5	SNCS PAM 208-24	1 1/2	1.938	4.63	3.500	1.89	0.75	0.47	3.94	2.1220	0.7480	0.8425	SNCS PAM 208-25	1 9/16	49.2	117.0	88.9	48.0	19.0	12.0	100.0	53.9	19.0	21.4	SNCS PAM 208	40											SNCS PAM 209-26	1 5/8											1/2-13	5,923 26.35	3,507 15.60	SNC 209-26	SPAM 209	6.4 2.9	SNCS PAM 209-27	1 11/16	2.125	4.96	3.750	2.00	0.75	0.47	4.25	2.1220	0.7480	0.8425	SNCS PAM 209-28	1 3/4	54.0	126.0	95.3	51.0	19.0	12.0	108.0	53.9	19.0	21.4	SNCS PAM 209	45											SNCS PAM 210-30	1 7/8											5/8-11	6,402 28.48	4,046 18.00	SNC 210-30	SPAM 210	7.5 3.4	SNCS PAM 210-31	1 15/16	2.250	5.50	4.000	2.00	0.87	0.55	4.61	2.2480	0.7480	0.9685	SNCS PAM 210	50	57.2	140.0	101.6	51.0	22.0	14.0	117.0	57.1	19.0	24.6	SNCS PAM 210-32	2																																																											
SNCS PAM 206-17	1 1/16											7/16-14	3,554 15.81	1,942 8.64	SNC 206-17	SPAM 206	3.2 1.5																																																																																																																																																																																																																																																																																																																														
SNCS PAM 206-18	1 1/8	1.688	4.00	3.000	1.50	0.63	0.47	3.43	1.8110	0.6260	0.7165																																																																																																																																																																																																																																																																																																																																				
SNCS PAM 206	30	42.9	102.0	76.2	38.0	16.0	12.0	87.0	46.0	15.9	18.2																																																																																																																																																																																																																																																																																																																																				
SNCS PAM 206-19	1 3/16														SNCS PAM 206-20			1 1/4											1/2-13	4,683 20.83	2,626 11.68	SNC 207-20	SPAM 207	4.3 2.0	SNCS PAM 207-21	1 5/16	1.875	4.25	3.250	1.89	0.75	0.47	3.74	1.9606	0.6890	0.7402	SNCS PAM 207-22	1 3/8	47.6	108.0	82.6	48.0	19.0	12.0	95.0	49.8	17.5	18.8	SNCS PAM 207	35											SNCS PAM 207-23	1 7/16											1/2-13	5,294 23.55	3,057 13.60	SNC 208-24	SPAM 208	5.4 2.5	SNCS PAM 208-24	1 1/2	1.938	4.63	3.500	1.89	0.75	0.47	3.94	2.1220	0.7480	0.8425	SNCS PAM 208-25	1 9/16	49.2	117.0	88.9	48.0	19.0	12.0	100.0	53.9	19.0	21.4	SNCS PAM 208	40											SNCS PAM 209-26	1 5/8											1/2-13	5,923 26.35	3,507 15.60	SNC 209-26	SPAM 209	6.4 2.9	SNCS PAM 209-27	1 11/16	2.125	4.96	3.750	2.00	0.75	0.47	4.25	2.1220	0.7480	0.8425	SNCS PAM 209-28	1 3/4	54.0	126.0	95.3	51.0	19.0	12.0	108.0	53.9	19.0	21.4	SNCS PAM 209	45											SNCS PAM 210-30	1 7/8											5/8-11	6,402 28.48	4,046 18.00	SNC 210-30	SPAM 210	7.5 3.4	SNCS PAM 210-31	1 15/16	2.250	5.50	4.000	2.00	0.87	0.55	4.61	2.2480	0.7480	0.9685	SNCS PAM 210	50	57.2	140.0	101.6	51.0	22.0	14.0	117.0	57.1	19.0	24.6	SNCS PAM 210-32	2																																																																																																																	
SNCS PAM 206-20	1 1/4											1/2-13	4,683 20.83	2,626 11.68	SNC 207-20	SPAM 207	4.3 2.0																																																																																																																																																																																																																																																																																																																														
SNCS PAM 207-21	1 5/16	1.875	4.25	3.250	1.89	0.75	0.47	3.74	1.9606	0.6890	0.7402																																																																																																																																																																																																																																																																																																																																				
SNCS PAM 207-22	1 3/8	47.6	108.0	82.6	48.0	19.0	12.0	95.0	49.8	17.5	18.8																																																																																																																																																																																																																																																																																																																																				
SNCS PAM 207	35														SNCS PAM 207-23			1 7/16											1/2-13	5,294 23.55	3,057 13.60	SNC 208-24	SPAM 208	5.4 2.5	SNCS PAM 208-24	1 1/2	1.938	4.63	3.500	1.89	0.75	0.47	3.94	2.1220	0.7480	0.8425	SNCS PAM 208-25	1 9/16	49.2	117.0	88.9	48.0	19.0	12.0	100.0	53.9	19.0	21.4	SNCS PAM 208	40											SNCS PAM 209-26	1 5/8											1/2-13	5,923 26.35	3,507 15.60	SNC 209-26	SPAM 209	6.4 2.9	SNCS PAM 209-27	1 11/16	2.125	4.96	3.750	2.00	0.75	0.47	4.25	2.1220	0.7480	0.8425	SNCS PAM 209-28	1 3/4	54.0	126.0	95.3	51.0	19.0	12.0	108.0	53.9	19.0	21.4	SNCS PAM 209	45											SNCS PAM 210-30	1 7/8											5/8-11	6,402 28.48	4,046 18.00	SNC 210-30	SPAM 210	7.5 3.4	SNCS PAM 210-31	1 15/16	2.250	5.50	4.000	2.00	0.87	0.55	4.61	2.2480	0.7480	0.9685	SNCS PAM 210	50	57.2	140.0	101.6	51.0	22.0	14.0	117.0	57.1	19.0	24.6	SNCS PAM 210-32	2																																																																																																																																																																							
SNCS PAM 207-23	1 7/16											1/2-13	5,294 23.55	3,057 13.60	SNC 208-24	SPAM 208	5.4 2.5																																																																																																																																																																																																																																																																																																																														
SNCS PAM 208-24	1 1/2	1.938	4.63	3.500	1.89	0.75	0.47	3.94	2.1220	0.7480	0.8425																																																																																																																																																																																																																																																																																																																																				
SNCS PAM 208-25	1 9/16	49.2	117.0	88.9	48.0	19.0	12.0	100.0	53.9	19.0	21.4																																																																																																																																																																																																																																																																																																																																				
SNCS PAM 208	40														SNCS PAM 209-26			1 5/8											1/2-13	5,923 26.35	3,507 15.60	SNC 209-26	SPAM 209	6.4 2.9	SNCS PAM 209-27	1 11/16	2.125	4.96	3.750	2.00	0.75	0.47	4.25	2.1220	0.7480	0.8425	SNCS PAM 209-28	1 3/4	54.0	126.0	95.3	51.0	19.0	12.0	108.0	53.9	19.0	21.4	SNCS PAM 209	45											SNCS PAM 210-30	1 7/8											5/8-11	6,402 28.48	4,046 18.00	SNC 210-30	SPAM 210	7.5 3.4	SNCS PAM 210-31	1 15/16	2.250	5.50	4.000	2.00	0.87	0.55	4.61	2.2480	0.7480	0.9685	SNCS PAM 210	50	57.2	140.0	101.6	51.0	22.0	14.0	117.0	57.1	19.0	24.6	SNCS PAM 210-32	2																																																																																																																																																																																																																													
SNCS PAM 209-26	1 5/8											1/2-13	5,923 26.35	3,507 15.60	SNC 209-26	SPAM 209	6.4 2.9																																																																																																																																																																																																																																																																																																																														
SNCS PAM 209-27	1 11/16	2.125	4.96	3.750	2.00	0.75	0.47	4.25	2.1220	0.7480	0.8425																																																																																																																																																																																																																																																																																																																																				
SNCS PAM 209-28	1 3/4	54.0	126.0	95.3	51.0	19.0	12.0	108.0	53.9	19.0	21.4																																																																																																																																																																																																																																																																																																																																				
SNCS PAM 209	45														SNCS PAM 210-30			1 7/8											5/8-11	6,402 28.48	4,046 18.00	SNC 210-30	SPAM 210	7.5 3.4	SNCS PAM 210-31	1 15/16	2.250	5.50	4.000	2.00	0.87	0.55	4.61	2.2480	0.7480	0.9685	SNCS PAM 210	50	57.2	140.0	101.6	51.0	22.0	14.0	117.0	57.1	19.0	24.6	SNCS PAM 210-32	2																																																																																																																																																																																																																																																																																			
SNCS PAM 210-30	1 7/8											5/8-11	6,402 28.48	4,046 18.00	SNC 210-30	SPAM 210	7.5 3.4																																																																																																																																																																																																																																																																																																																														
SNCS PAM 210-31	1 15/16	2.250	5.50	4.000	2.00	0.87	0.55	4.61	2.2480	0.7480	0.9685																																																																																																																																																																																																																																																																																																																																				
SNCS PAM 210	50	57.2	140.0	101.6	51.0	22.0	14.0	117.0	57.1	19.0	24.6																																																																																																																																																																																																																																																																																																																																				
SNCS PAM 210-32	2																																																																																																																																																																																																																																																																																																																																														

MARINER®